

Model SG
23-35-46-58-70-80

SG



CAST-IRON
BOILERS FOR
BLOWN-AIR
GAS-FIRED OR
OIL-FIRED
BURNER,
COMBINED WITH
A VERTICAL
STORAGE VESSEL
TO BE INSTALLED
ABOVE OR BESIDE
THE BOILER

GG20

Boiler body made of GG20 cast-iron



Operation with gas-fired or oil-fired burner (SG 90 fuel oil only)

23,5-81 kW

Output range: 23.5 kW ÷ 81 kW



Central heating



Central heating and domestic hot water with BOL 120 storage vessel only with SG35 and SG46 boilers



Resistant to condensation

TECHNICAL DATA

Model		SG23	SG35	SG46	SG58	SG70	SG80
Number of sections		2	3	4	5	6	7
Fuel		Gas/oil					Oil
Max. net output	kW	23,5	36,0	46,5	58,0	70,0	81,0
Max. thermal output	kW	26,0	40,0	51,4	64,0	77,5	89,5
Efficiency at 100%	%	90,0	90,4	91,0	90,9	90,3	90,5
Efficiency at 30%	%	90	91	91	91	91	91
Flue gas temperature**	°C	205	200	195	210	220	220
Water content	l	22,5	29,5	36,0	42,8	49,6	56,4
Max. operating pressure	bar	4	4	4	4	4	4
Furnace	D	mm	290	290	290	290	290
	L	mm	270	400	530	660	790
Burner connection	mm	110	110	110	110	110	110
Flue	Ø	mm	130	130	130	150	150
Flue gas side load loss	mbar	0,25	0,25	0,27	0,30	0,35	0,40
Water side load loss (t = 15K)	mbar	3	6	11	18	28	40
Flow connection	"G	1 1/4	1 1/4	1 1/4	1 1/4	1 1/4	1 1/4
Return connection	"G	1 1/4	1 1/4	1 1/4	1 1/4	1 1/4	1 1/4
Fill/drain connection	"G	1/2	1/2	1/2	1/2	1/2	1/2

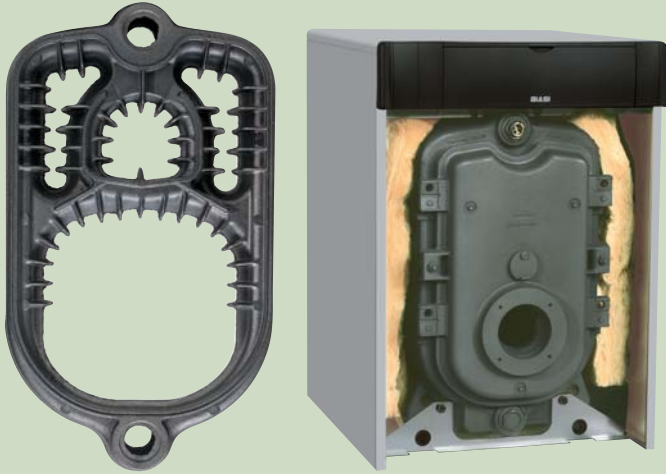
120 STORAGE VESSEL TECHNICAL DATA

Model			SG35	SG46			
Temperature	°C	-	40-65	40-65	-	-	-
Max. pressure	bar	-	8	8	-	-	-
Continuous delivery rate (t = 25K)***	l/min	-	16	16	-	-	-
Storage vessel content	l	-	120	120	-	-	-

* At maximum boiler capacity: hot water temperature 80°C – room temperature 20°C.

** Flue temperature is measured with CO₂ = 13% for fuel oil, 10% for gas and with 80°C boiler temperature.

*** With boiler outlet temperature = 80°C and domestic hot water inlet temp. = 10°C



CONTROL PANEL

Boiler control panel:

- Main switch;
- Signal lamp;
- Boiler thermometer;
- Boiler control thermostat;
- Burner lock out signal lamp;
- Manually reset safety thermostat;

Storage vessel control panel:

- Summer/winter switch;
- Boiler limit thermostat;
- Storage vessel thermostat;
- Storage vessel thermometer.

MAIN TECHNICAL CHARACTERISTICS

- High efficiency boiler;
- Long-lasting GG20 cast-iron body;
- Hinged door opening to the right or left;
- Cast-iron sections can be cleaned from the front;
- Possibility of low temperature operation;
- Each section hydraulically tested at 10 bar;
- Assembled body hydraulically tested at 6 bar;
- Production cycle certified according to ISO 9002 Standards;
- Separate 120 liter capacity enameled steel storage heater.

DELIVERY COMPOSITION

SG boilers are supplied on a single pallet and protected by a wooden crate. Delivery includes:

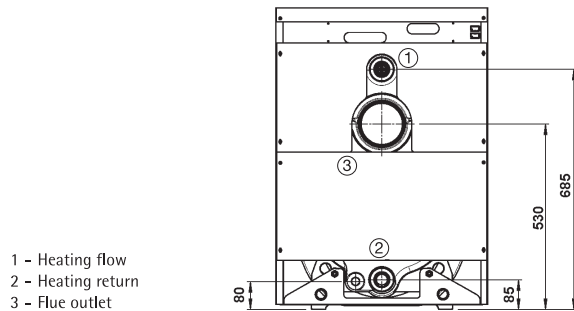
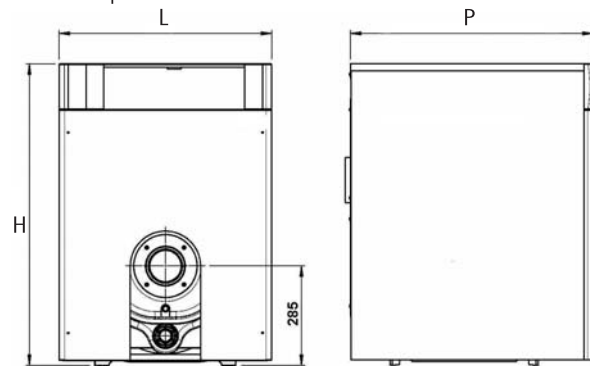
- Boiler body complete with hinged door;
- Powder-painted steel shell;
- Glass wool insulation;
- Control panel.

Option: burner cover

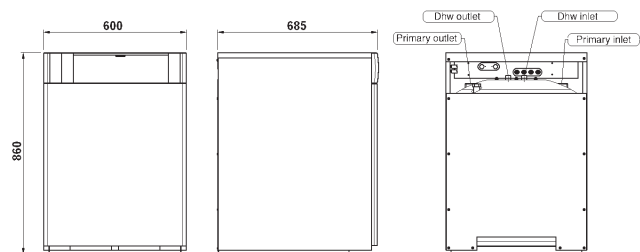
Storage vessels are supplied on a single pallet and protected by a wooden crate. Delivery includes:

- 120 liter storage vessel;
- Powder-painted steel case;
- Connection kit with hoses, domestic hot water pump and fittings.

Area dimensions for maintenance and flue axis position



BOL 120



DIMENSIONS AND WEIGHTS

		SG23	SG35	SG46	SG58	SG70	SG80
Height	H mm	860	860	860	860	860	860
Width	L mm	600	600	600	600	600	600
Depth	P mm	445	555	685	805	915	1.045
Weight	kg	120	155	200	245	285	325
Weight	l kg	-	75	75	-	-	-



BIASI S.p.A.
37135 VERONA (Italy) - Via Leopoldo Biasi, 1
Tel. 045.80.90.111 Fax 045.80.90.333
info@biasi.it - www.biasi.it

